

FEATURES

- Less than 150mW no-load power consumption and high efficiency.
- Meet LPS except +5V model, +24V model meet Class 2 Output.
- Altitude during operation up to 5000m.
- Main output Power ON LED indicators.
- Black anodized chassis coating available.
- 3 years warranty.



U channel

Enclosed

Din-Rail

Chassis with Black Anodized Coating

ELECTRICAL SPECIFICATIONS

- Input range : 90 - 305VAC
- Frequency : 47 - 63Hz.
- Inrush current : <35A peak @115VAC; <65A peak @230VAC cold start @25°C.
- Input current (rms) : 2.5A @115VAC; 1.25A @230VAC max.
- Average Efficiency : > 89% typical @full load, 115/230VAC.
- Maximum output power : 65Watts convection cooling.
- Hold-up time : > 10ms typical @full load, 115VAC.
- Short circuit protection : Auto-recovery.
- Over power protection : 105% to 160% maximum rating, Auto-recovery.
- Over voltage protection : Shutdown and latch off, AC recycle.

RoHS compliant

U-channel type

Dimension : L120.7 × W63.5 × H38.1 mm (4.75" x 2.50" x 1.50")

Weight : 0.25 kgs. (0.55 lbs.)

Enclosed type

Dimension : L120.7 × W63.5 × H38.1 mm (4.75" x 2.50" x 1.50")

Weight : 0.27 kgs. (0.60 lbs.)

Din-Rail type

Dimension : L120.7 × W63.5 × H47.2 mm (4.75" x 2.50" x 1.86")

Weight : 0.29 kgs. (0.64 lbs.)

ENVIRONMENTAL

- Operating temperature : -10 to +70°C (Derate linearly 2.5% per °C from 51 to 70°C, Derate linearly 1.0% per °C from 0 to -10°C)
- Storage temperature: -20°C to +85°C.
- Operating Humidity: 10% to 95%, non-condensing
- Storage Humidity: 0% to 95%, non-condensing
- MTBF : > 100,000 hours @full load and 25°C ambient temperature per Telcordia (Bellcore TR-332).

SAFETY STANDARDS

UL/c-UL UL62368-1

TUV EN62368-1

CB IEC 62368-1

EMC STANDARDS

FCC Class B

CISPR22 Class B

EN55032 Class B

CE

DC OUTPUT & FEATURES

Model No.	Output Voltage (V1)	Min. Load	Max. Load	Output Max. Watts	Output Regulation	Ripple & Noise(Vp-p)	Efficiency Level	LPS
PW-040E-1Y050Z	+5V	0A	8.00A	40W	±3%	100mV	VI	
PW-065E-1Y120Z	+12V	0A	5.42A	65W	±3%	120mV	VI	●
PW-065E-1Y150Z	+15V	0A	4.34A	65W	±3%	150mV	VI	●
PW-065E-1Y180Z	+18V	0A	3.62A	65W	±3%	180mV	VI	●
PW-065E-1Y240Z	+24V	0A	2.71A	65W	±3%	240mV	VI	●
PW-065E-1Y280Z	+28V	0A	2.33A	65W	±2%	280mV	VI	●
PW-065E-1Y480Z	+48V	0A	1.36A	65W	±2%	280mV	VI	●
PW-065E-1Y540Z	+54V	0A	1.21A	65W	±2%	280mV	VI	●

Note:

1. Model options: Z = **U** U-channel Z = **E** Enclosed Z = **D** Din-Rail
2. Input/Output connector : Terminal block type, pitch 9.5mm
3. Ripple and noise are measured at oscilloscope 20MHz bandwidth by a 10uF electrolytic capacitor and a 0.1uF ceramic capacitor in parallel at output connector.
4. The output voltage is set by manufacturer.
5. The switching frequency of this series is set 65KHz at full load.



SAFETY AGENCY CERTIFICATIONS

Safety and EMC Performance

Description	Safety	EMC
Audio / Video, ITE equipment	IEC 62368-1 : 2014 (Second Edition) EN 62368-1 : 2014 + A11 UL 62368-1, 2nd Edition, 2014-12-01 CAN / CSA C22.2 No. 62368-1-14, 2nd Edition	EN 55032 & EN 55035 & FCC Part 15 (*) and ICES-003

Tests for conformance to this requirement will be performed with final system

(*) FCC PART 15 compliance information and warnings :

This device complies with part 15 of the FCC Rules. Operation is subject to the following two conditions :

(1) This device may not cause harmful interference.

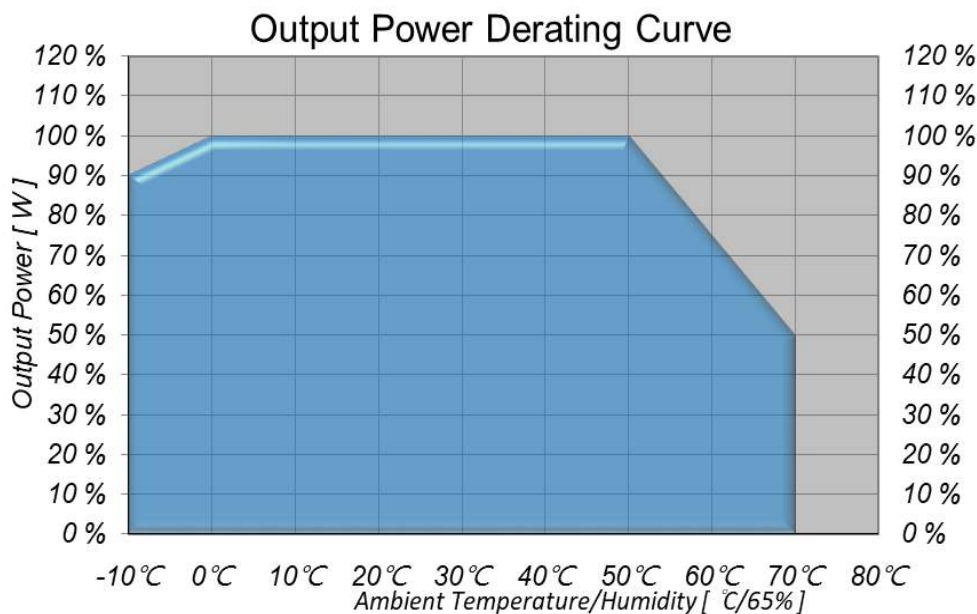
(2) This device must accept any interference received, including interference that may cause undesired operation.

Insulation level and dielectric withstand (HI-POT)

Audio / video, ITE equipment	Isolation voltage	Grade insulation
Primary to Secondary	4242Vdc (3000Vac)	Reinforced
Primary to Ground (Mounting holes or Frame GND)	2121Vdc (1500Vac)	Basic

ENVIRONMENTAL

DERATING CURVE



POWER-WIN TECHNOLOGY CORP.

5F-6, No. 79, Sec. 1, Hsin-Tai 5th Road, Shi-Chi, New Taipei City, 22101 Taiwan, R.O.C.

Tel : 886-2-26983989(Rep) Fax : 886-2-26983978

http : //www.power-win.com

E-Mail : sales@power-win.com

REV.1.5

MECHANICAL SPECIFICATION

MATCHING CONNECTORS

CN1: Input Connector

(T) 3-Pole Terminal block pitch: 9.5mm,
rate 20A/300V

Pin #	Signal
1	AC GND
2	AC Neutral
3	AC Line

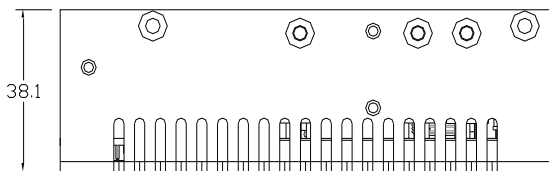
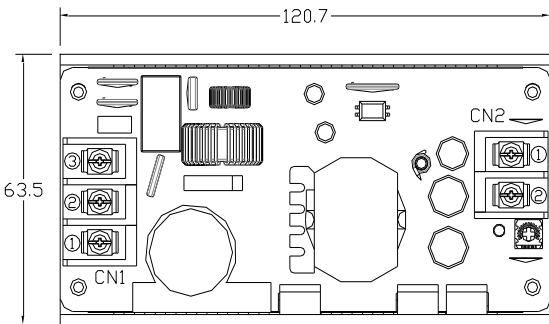
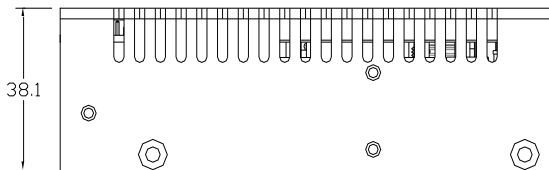
CN2: Output Connector

(T) 2-Pole Terminal block pitch: 9.5mm,
rate 20A/300V

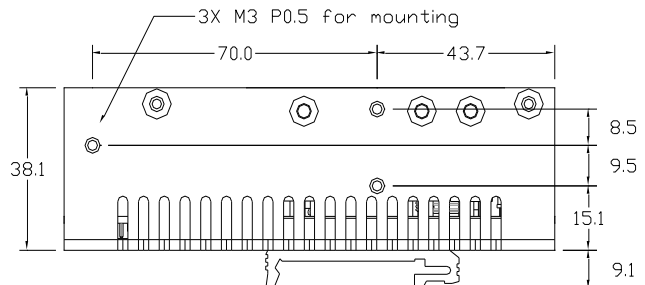
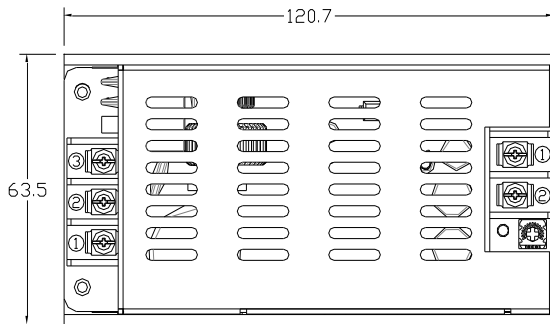
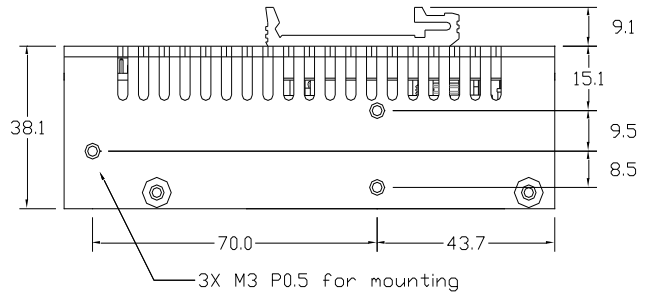
Pin #	Signal
1	+Vout
2	GND

Dimension

U-channel type



Din-Rail type



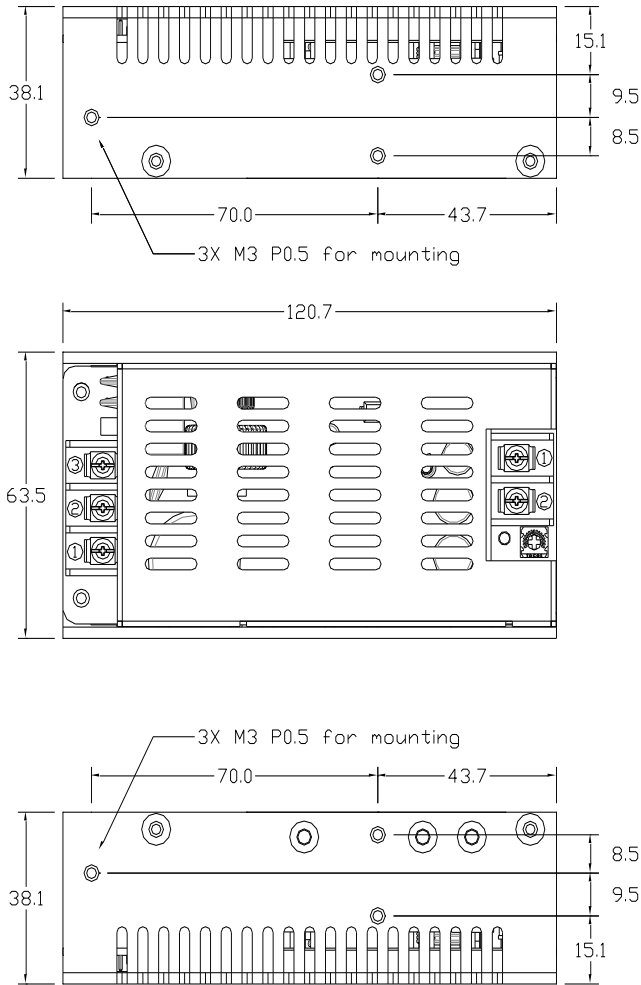
Notes: 6X M3 screw mounting holes max. depth 2.5"

Unit : mm

MECHANICAL SPECIFICATION

Dimension

Enclosed type



Notes: 6X M3 screw mounting holes max. depth 2.5"

Unit : mm



Want to know more?

For sales, technical support or additional information please get in touch with our team of experts.

ADDITIONAL SERVICES

We provide an end-to-end service

From the initial consultation and sourcing unique components to supplying bespoke solutions including a full design and build process.

Bespoke services

Customised and curated technology solutions across the full range of Conexa Tech products

Sourcing

A full suite of electronics, cable, and mechanical sourcing capabilities

Design & Build

Development and manufacturing services

hello@conexotech.com | +44 118 402 3430

CONEXATECH.COM