

ME1S Series

1W, Unregulated Single or Dual Output, 1.5KV Isolation, SIP7 Package DC/DC Converters

Features

- ▶ Rated power: 1W Max
- ▶ Input voltage range $\pm 10\%$
- ▶ Unregulated single or dual output
- ▶ High efficiency, up to 89%
- ▶ Small no load input current
- ▶ Isolation voltage 1.5KVdc
- ▶ Operating temperature range: $-40 \sim +105^{\circ}\text{C}$ ambient
- ▶ RoHS compliant
- ▶ Compact SIP7 package
- ▶ Continuous short circuit protection
- ▶ Designed to meet UL/EN/IEC 62368-1
- ▶ 3 year warranty



Overview

The ME1S series are unregulated SIP7 package DC/DC converters with single or dual outputs, and 1.5KVdc isolation. These converters feature high efficiency, low ripple and noise, continuous short circuit protection, and wide operating temperature range. They are widely used in distributed power system in industrial applications where isolation and voltage converting is needed.

Model Numbers

Model Number	Input Voltage [VDC] $\pm 10\%$	Output Voltage [VDC]	Output Current [mA]		Efficiency [%] Typ.	*Capacitive Load [μF] Max.
			Max.	Min.		
ME1S-0303	3.3	3.3	303	30	82	4000
ME1S-0305	3.3	5	200	20	83	4000
ME1S-0309	3.3	9	111	11	84	2000
ME1S-0312	3.3	12	84	8	85	1000
ME1S-0503	5	3.3	303	30	83	4000
ME1S-0505	5	5	200	20	86	4000
ME1S-0509	5	9	111	12	86	2000
ME1S-0512	5	12	84	9	88	1000
ME1S-0515	5	15	67	7	88	680
ME1S-0524	5	24	42	4	89	560
ME1S-1203	12	3.3	303	30	84	4000
ME1S-1205	12	5	200	20	86	4000
ME1S-1209	12	9	111	12	87	2000
ME1S-1212	12	12	84	9	87	1000
ME1S-1215	12	15	67	7	88	680
ME1S-1224	12	24	42	4	89	560

Model Numbers [continued]

Model Number	Input Voltage [VDC] $\pm 10\%$	Output Voltage [VDC]	Output Current [mA]		Efficiency [%] Typ.	*Capacitive Load [μ F] Max.
			Max.	Min.		
ME1S-1505	15	5	200	20	86	4000
ME1S-1509	15	9	111	12	87	2000
ME1S-1512	15	12	84	9	87	1000
ME1S-1515	15	15	67	7	88	680
ME1S-2403	24	3.3	303	30	84	4000
ME1S-2405	24	5	200	20	87	4000
ME1S-2409	24	9	111	12	88	2000
ME1S-2412	24	12	84	9	88	1000
ME1S-2415	24	15	67	7	88	680
ME1S-2424	24	24	42	4	89	560
ME1S-0505D	5	± 5	± 100	± 10	86	2000
ME1S-0509D	5	± 9	± 56	± 6	86	1000
ME1S-0512D	5	± 12	± 42	± 5	88	560
ME1S-0515D	5	± 15	± 34	± 4	88	220
ME1S-1203D	12	± 3.3	± 152	± 15	84	2000
ME1S-1205D	12	± 5	± 100	± 10	86	2000
ME1S-1209D	12	± 9	± 56	± 6	87	1000
ME1S-1212D	12	± 12	± 42	± 5	87	560
ME1S-1215D	12	± 15	± 34	± 4	88	220
ME1S-1505D	15	± 5	± 100	± 10	86	2000
ME1S-1512D	15	± 12	± 42	± 5	87	560
ME1S-1515D	15	± 15	± 34	± 4	88	220
ME1S-2405D	24	± 5	± 100	± 10	87	2000
ME1S-2409D	24	± 9	± 56	± 6	88	1000
ME1S-2412D	24	± 12	± 42	± 5	88	560
ME1S-2415D	24	± 15	± 34	± 4	88	220

* Only typical models are listed. Other models may be available upon request.

* For dual output models, max capacitive load stipulated in the above list is for each output.

* See MEK1S series for 3KVDC isolation models, and MEG1S series for 6KVDC isolation models.

Electrical Specifications

Unless otherwise indicated, specifications are measured at $T_A=25^{\circ}\text{C}$, nominal input voltage, full load after warm up.

Parameters	Conditions	Min.	Typ.	Max.	Unit	Note
Input current Full load	$V_{IN}=3.3\text{V}$		370	390	mA	
	$V_{IN}=5\text{V}$		230	260		
	$V_{IN}=12\text{V}$	-	99	105		
	$V_{IN}=15\text{V}$		78	85		
	$V_{IN}=24\text{V}$		51	55		
Input current No load		-	3	15	mA	
Reflected ripple current		-	15	-	mA	
Surge voltage 1 second max	$V_{IN}=3.3\text{V}$	-0.7		5	VDC	
	$V_{IN}=5\text{V}$	-0.7		9		
	$V_{IN}=12\text{V}$	-0.7	-	18		
	$V_{IN}=15\text{V}$	-0.7		21		
	$V_{IN}=24\text{V}$	-0.7		30		
Output voltage accuracy	All models	Refer to graphic in "Characteristic Curves" section				
Line regulation For V_{IN} change of $\pm 1\%$	$V_{OUT}=3.3\text{V}$	-	-	± 1.5	%	
	All others			± 1.2		
Load regulation $I_{OUT}=10\%$ to 100% of $I_{OUT, rated}$	$V_{OUT}=3.3\text{V}$		10		%	
	$V_{OUT}=5\text{V}$		8			
	$V_{OUT}=9\text{V}$		8			
	$V_{OUT}=12\text{V}$	-	7	-		
	$V_{OUT}=15\text{V}$		6			
	$V_{OUT}=24\text{V}$		6			
Output ripple and noise	20MHz bandwidth	-	45	100	mVp-p	
Temperature coefficient	Full load	-	± 0.03	-	$\%/^{\circ}\text{C}$	
Output short circuit protection		Continuous, automatic recovery				
Input filter		Capacitor				
Hot plug		None				

* Operating with less than 10% of rated load will not cause permanent damage to the converters, but the performances data may not fall into the specifications, and reliable operating is not assured.

* Dual output models need to operate with balanced load. The load difference between two outputs over 10% may cause unstable operating of the converter.

General Specifications

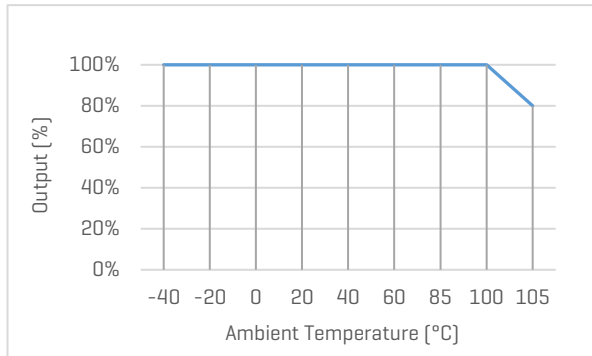
Parameters	Conditions	Min.	Typ.	Max.	Unit	Note
Isolation voltage Tested for 1 minute, leakage current less than 1mA	Input to Output	1500	-	-	VDC	
Isolation resistance Tested at 500VDC		1000	-	-	M ohm	
Isolation capacitance Tested between input and output, test condition 100KHz, 0.1V		-	20	-	pF	
Operating temperature	See "Derating Curve"	-40	-	+105	°C	
Storage temperature		-55	-	+125	°C	
Temperature rise at case		-	25	-	°C	
Storage humidity	Non-condensing	5	-	95	%RH	
Switching frequency	Full load	-	220	-	KHz	
Pin soldering resistance 1.5mm away from case for 10 sec		-	-	300	°C	
Vibration		10-150Hz, 5G, 0.75mm along X, Y and Z				
Case material		Black plastic UL94-V0				
Cooling method		Free air convection				
Design based on standards		UL/EN/IEC 62368-1				
Safety certifications		EN/IEC 62368-1				
EMC	Emissions Immunity	CISPR32, EN55032 Class B* IEC/EN61000-4-2				
MTBF	MIL-HDBK-217F	>3,500,000 Hours, T _A =25°C				
Size		19.65 x 6.00 x 10.16 mm				
Weight		2.1g Typ.				

*External circuit is required in order to meet Class B, refer to Figure 2 in Recommended External Circuit

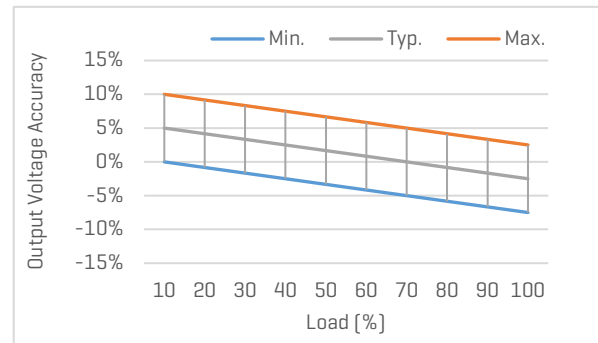
Characteristic Curves

Derating Curve

Output vs Ambient Temperature



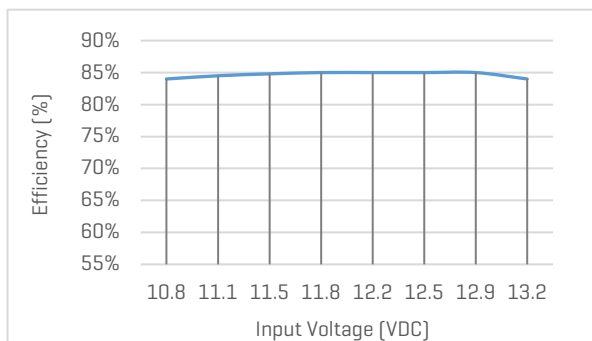
Output Voltage Accuracy vs Load



Efficiency Curves

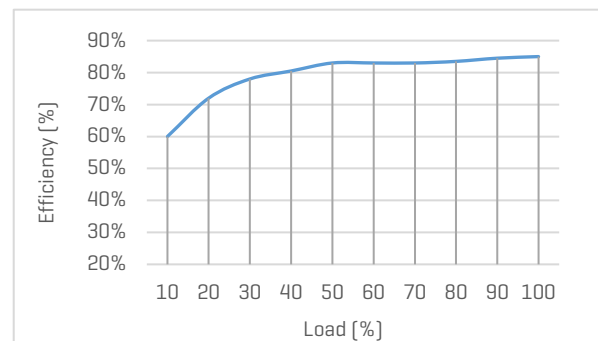
Efficiency vs Input Voltage

ME1S-1205, with full Load



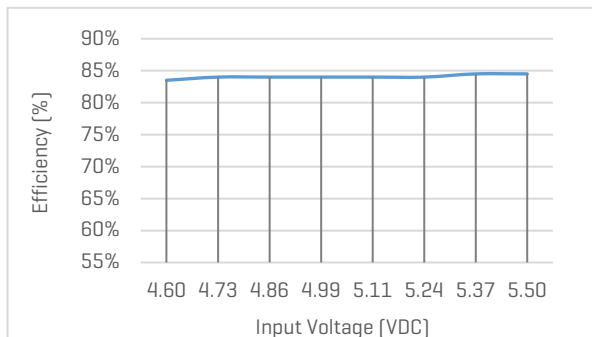
Efficiency vs Load

ME1S-1205, with nominal input voltage



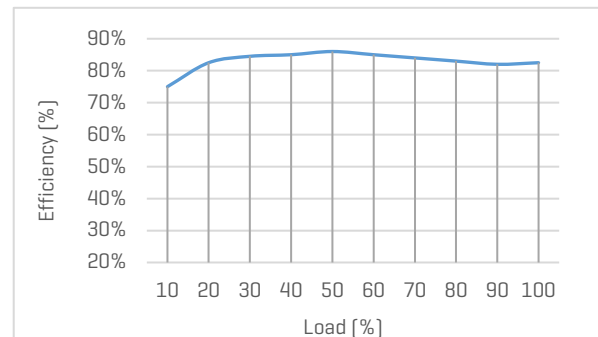
Efficiency vs Input Voltage

ME1S-0505D, with full Load



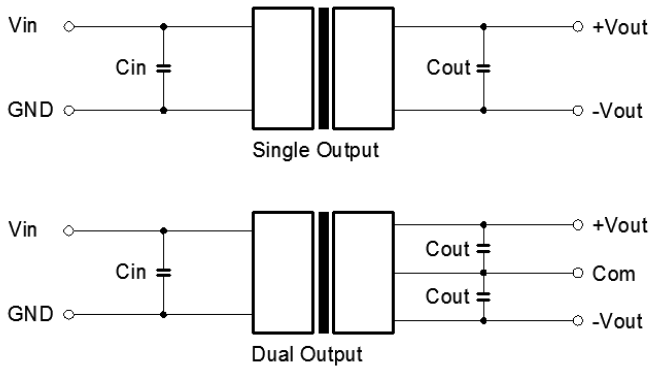
Efficiency vs Load

ME1S-0505D, with nominal input voltage



Recommended External Circuit

Typical Application Circuit



Note

*Typical application circuit is to further lower the input and output ripple. It is not required for general use.

*Recommended component specifications are typical values. Excessive external capacitive load may cause startup problem.

Figure 1. Typical external circuit

[Table 1] Recommended component spec

Input voltage	3.3, 5V	12V	15V	24V
C_{IN}	4.7uF, 16V	2.2uF, 25V	2.2uF, 25V	1uF, 50V

[Table 2] Recommended component spec

Output voltage	3.3, 5V	9V	12V	15V	24V
C_{OUT}	10uF, 16V	4.7uF, 16V	2.2uF, 25V	1uF, 25V	0.47uF, 50V

Circuit for EMC Enhancement

*Use this application circuit to meet Class B EMC performance.

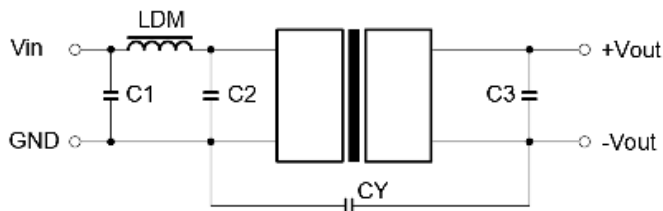


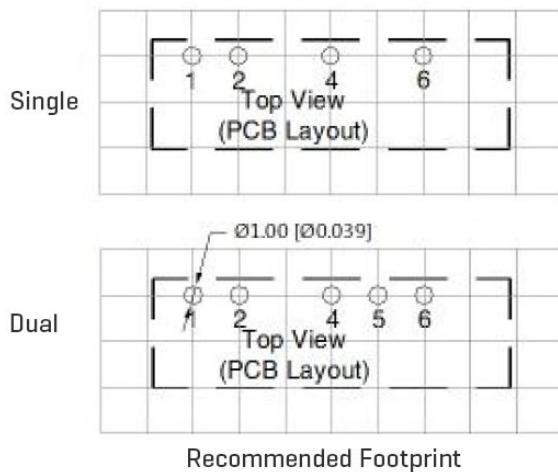
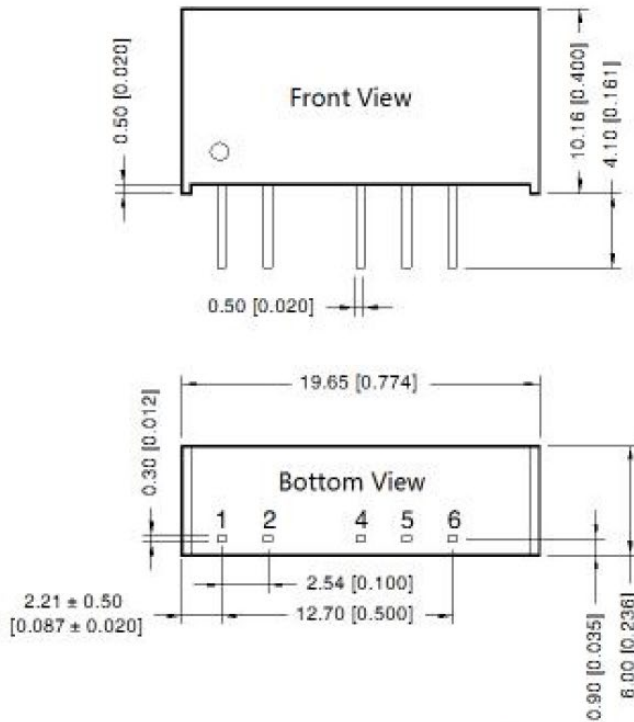
Figure 2. Circuit for EMC enhancement

[Table 3] Recommended component spec

Component	LDM	C1, C2	CY*
Spec	6.8uH	4.7uF, 50V	1nF, 2KV

*C3 refer to C_{OUT} in [Table 2]

Mechanical Specifications



Pin Definition

Pin #	Single Out	Dual Out
1	V _{IN}	V _{IN}
2	GND	GND
4	OV	-V _{OUT}
5	No Pin	OV
6	+V _{OUT}	+V _{OUT}

* Unless otherwise specified unit: mm [inch]

* General tolerance: ±0.50 [±0.020]

* Pin thickness: ±0.10 [±0.004]

* Footprint grid 2.54 x 2.54 mm

FAVOTEK LIMITED

#17 Canton Road, Tsim Sha Tsui, Kowloon, Hong Kong
 Tel: +852 8191 6662
 Eml: info@favotek.com

Favotek reserves the right to make changes to the product at any time without notice. Information provided by Favotek is believed to be accurate and reliable. However, no responsibility is assumed by Favotek for its use, nor for any infringements of patents or other rights of third parties which may result from its use.

Want to know more?

For sales, technical support or additional information please get in touch with our team of experts.

ADDITIONAL SERVICES

We provide an end-to-end service

From the initial consultation and sourcing unique components to supplying bespoke solutions including a full design and build process.

Bespoke services

Customised and curated technology solutions across the full range of Conexa Tech products

Sourcing

A full suite of electronics, cable, and mechanical sourcing capabilities

Design & Build

Development and manufacturing services

hello@conexotech.com | +44 118 402 3430

CONEXATECH.COM